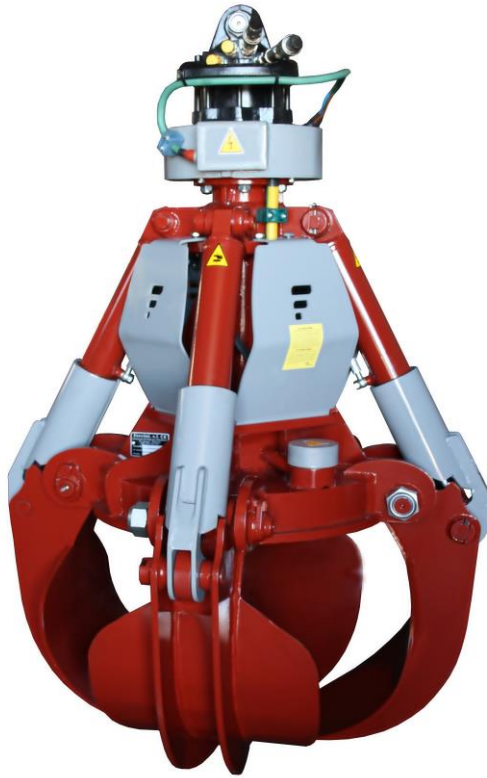


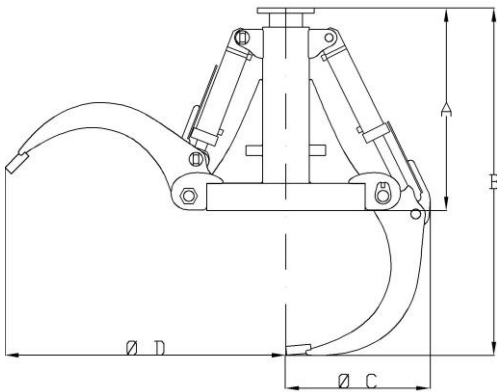



BROCHURE, MODEL PHEC 24V.



Polyp grab with an integrated powerful electromagnet, suitable for truck crane.

Powered by the truck batteries.



MODEL	ELECTROMAGNET POWER	CAPACITY LT.	MAX. BAR	TINES Nº	WEIGHT KG.	 Ton.	A	B	C	D
							mm.			
PHEC 24V.	24 V. 1,5 KW	250	250	4	480	1 – 2,5	750	1280	1050	2000